

COMPACT VALVE - 1/4

Series DS2

Cat No DS2 - 01 - 16 - A

COMPACT VALVE - G1/4

Features

- Suitable for manifold mounting
- Mounting provision for individual unit
- Compact size
- Manual override
- Wide range of manifolds available
- Wide range of coil voltages



Important

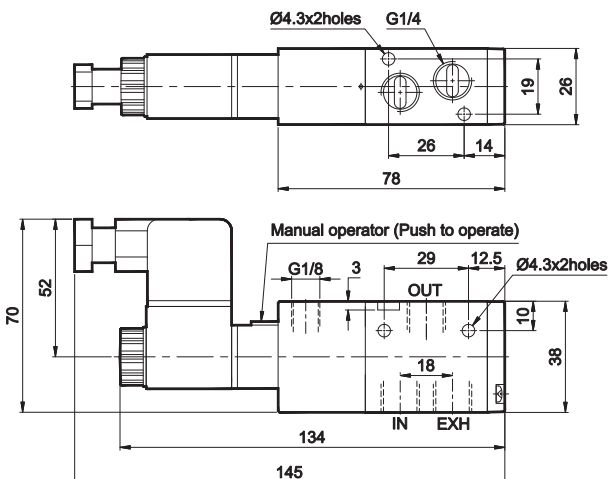
To prevent malfunctioning of the valve while operating the manual override (or) while operating the solenoid coil, ensure to have a minimum air supply of 800 lpm to the valve through a tube of minimum Ø8 outer diameter (with minimum Ø5.5 internal diameter)

Technical Specifications

Model	DS2	
Type	3/2	5/2
Design	Spool type	
Port Size	Inlet (1), Outlet (2), Exhaust (3) - G1/4 , Pilot (14, 12) - G1/8	Inlet (1), Outlet (2,4) - G1/4 , Exhaust (3,5), Pilot (14, 12) - G1/8
Flow @	1000 lts/min	Inlet to Outlet - 1000 lts/min; Outlet to Exhaust - 700 lts/min
Medium	Compressed air, filtered, lubricated	
Maximum working pressure	10 bar	
External pilot pressure range	2 to 10 bar	
Recommended oil for lubrication	ISO VG32 (Servo system 32)	
Ambient temperature	-10° to +60° C	
Medium temperature	+5° to +50° C	
Materials of construction	Aluminium, Nitrile, Brass, Acetal, PBT, Zinc	
Electrical		
Coil width	22 mm	
Voltage (V) ± 10%	AC (50 Hz) - 24, 48, 110, 220	
	DC - 12, 24, 48, 110	
Power consumption	AC - 6 VA, DC - 5 W	
Duty cycle	Continuous	
Class of insulation	Class F	
Type of coil protection	IP65	

@ Inlet pressure 6 bar, and pressure drop 1 bar

3 / 2 Single external solenoid pilot operated valve with spring return



* For ordering no., voltage to be added.



1 - Inlet, 2 - Outlet, 3 - Exhaust, 10, 12 - Pilot

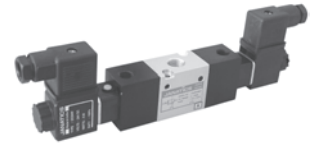
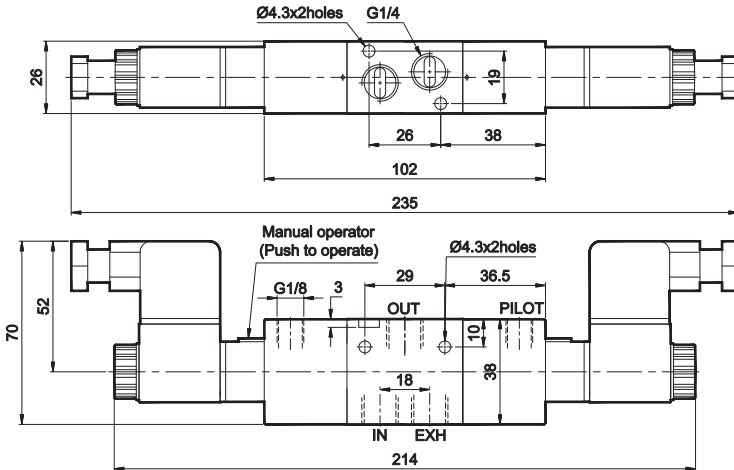
Ordering No*	DS235TR61	DS245TR61
Type	Normally open	Normally closed
Symbol		

COMPACT VALVE - 1/4

Series DS2

Cat No DS2 - 01 - 16 - A

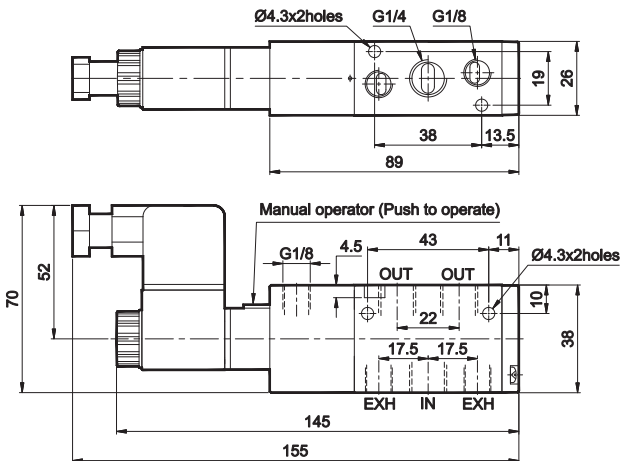
3 / 2 Double external solenoid pilot operated valve



1 - Inlet, 2,4 - Outlet, 3,5 - Exhaust, 10,12 - Pilot

Ordering No*	DS235TT61	DS245TT61
Type	Normally open	Normally closed
Symbol		

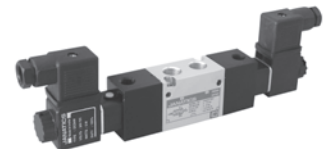
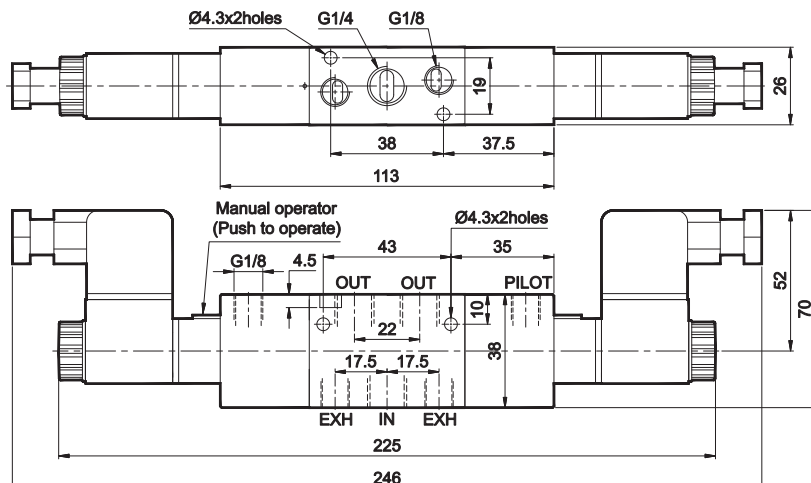
5 / 2 Single external solenoid pilot operated valve with spring return



1 - Inlet, 2,4 - Outlet, 3,5 - Exhaust, 14 - Pilot

Ordering No*	DS255TR61
Symbol	

5 / 2 Double external solenoid pilot operated valve



1 - Inlet, 2,4 - Outlet, 3,5 - Exhaust, 14, 12 - Pilot

Ordering No*	DS255TT61
Symbol	

* For ordering no., voltage to be added.

COMPACT VALVE - 1/4

Series DS2

Cat No DS2 - 01 - 16 - A

How to order

1. Solenoid valve + “Connectors without LED”

While ordering Solenoid operated valves, please mention the suffix given below along with the model number to indicate the required voltage

A	220V AC	Q	110V DC
B	110V AC	S	48V DC
D	48V AC	W	24V DC
G	24V AC	R	12V DC

Example

- The ordering no. for 3/2 NC Single external solenoid pilot valve, 24V D.C coil with PG cable is **DS245TR61-W**
- The ordering no. for 3/2 NC Single external solenoid pilot valve, 24V D.C coil with Moulded cable is **DS245TR61-W1**

2. Solenoid valve + “Connectors with LED”

While ordering Solenoid operated valves with LED connectors, given below in the corresponding tables.

Voltage		Housing Colour & Indication		LED colour		Connection type	
A	220V AC	 Transparent housing with Bipolar LED indicator confirming supply voltage	R	Red	0	PG Cable entry	
G	24V AC				1	Moulded cable (with 2metre length)	
W	24V DC						
		 Transparent housing with Bipolar LED indicator confirming supply voltage plus varistor to give over voltage protection to the source and load					

Example

The Ordering no for 3/2 NC Single external solenoid pilot valve, 24V DC, connectors with LED of Transparent colour housing with Bipolar LED and varistor, Red colour LED with moulded cable: **DS245TR61-WT1R1**

Coil spare ordering no.

Coil (without connector)	Ordering no.	
	AC	DC
220	AC23A	- NA -
110	AC23B	DC24Q
48	AC23D	DC24S
24	AC23G	DC24W
12	- NA -	DC24R